

# Impact-E 280A



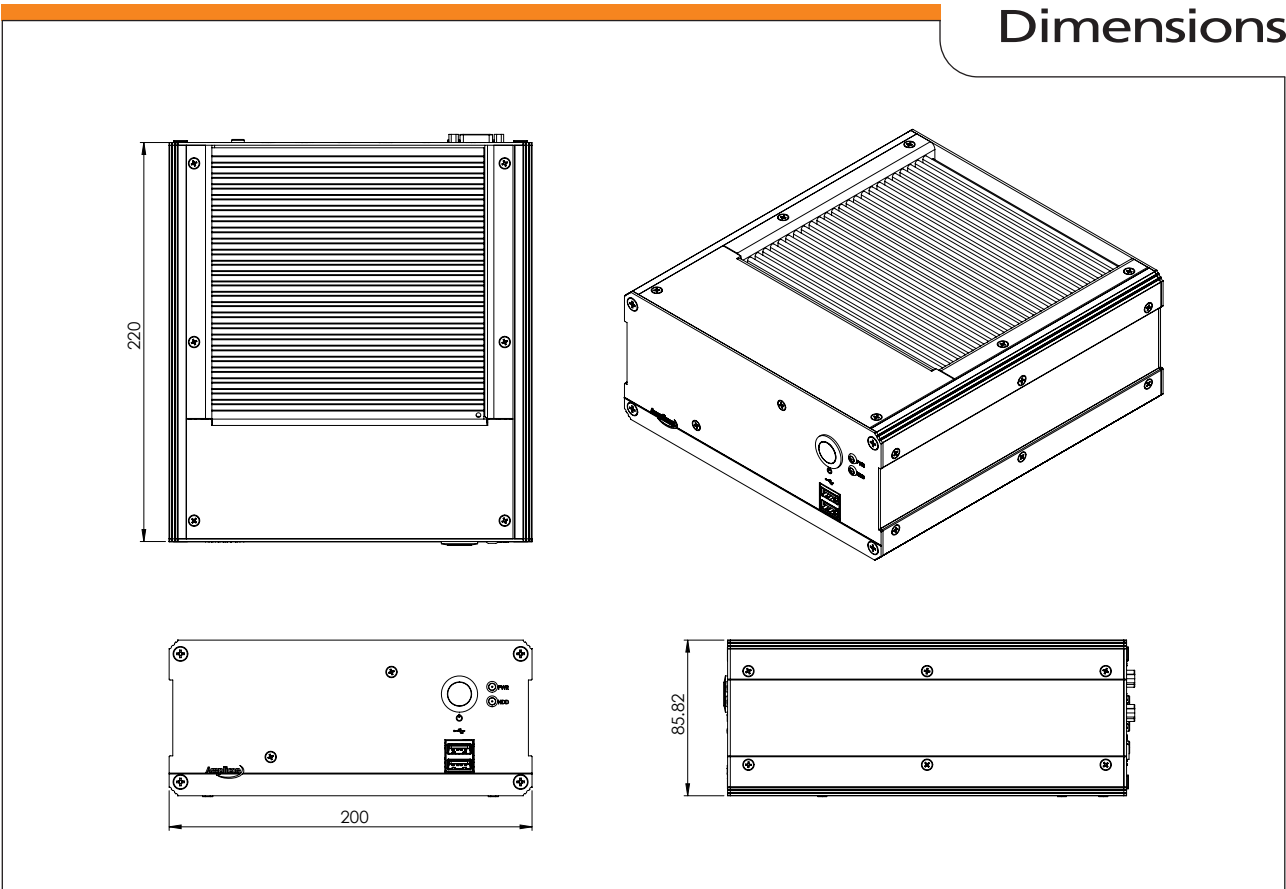
## Features

The Impact-E 280A is a compact, low power embedded system, utilising Intel® 8th and 9th Generation mobile iCore™ processing technology. This achieves high processing power with minimal power draw.

Key features:-

- Low power consumption
- High end processing power
- Compact design
- 3 year warranty
- 15 Year life cycle

## Dimensions



## Impact-E 280A

The information is believed to be accurate. However Amplicon Liveline Limited accepts no responsibility for any problems caused by errors and omissions. Specifications are subject to change without notice.

### Specifications

Hardware specification:	CPU: 8th Generation Intel® Core™ Processors, LGA 1151 Socket, TDP up to 35W 9th Generation Intel® Core™ Processors, LGA 1151 Socket, TDP up to 35W Main memory: 4GB SODIMM DDR4 (max: 64GB 2666MHz MHz) Chipset: Intel® Q370 LAN: Dual integrated 10/100/1000 network connection	Main board power options	Supports DC input voltage +12-24VDC
BIOS	AMI	Mechanical	Design: Rugged compact embedded design Cooling: Fanless design Construction: Extruded Aluminium Colour: Black Dimension: 200 x 85.82 x 220mm (W x H x D) Packaging: 355 x 260 x 335 (W x H x D) Gross Weight: 2.8kg
Display	DP1.2: resolution up to 4096x2304 @ 60Hz HDMI: Resolution up to 4096 x 2160 @ 60 Hz	Environmental operation	Acoustic noise: Near silent operation Operating Temperature: 0°C to 55°C Humidity: 0 to 90% non-condensing
Storage	2 x 2.5" SSD/HDD Support for RAID 0 and 1	Environmental storage	Temperature: -40°C to 85°C Humidity : 5% to 90% @ 20 C
System expansion	1 x M.2 2242-3042 B Key 1 x M.2 2230 E Key (USB/PCIe)	Certifications	CE
Supported O/S	Windows 10 / Windows 10 IoT / Linux		
External Interfaces	5 x USB 3.1 (1x Additional USB 3.1 Type-C Optional) 2 x USB 3.0 2 x USB3.0 (Front) 2 x RJ45 LAN 1 x RS232 1 x RS-232/422/485 2 x DP++ 1 x HDMI 1 x Mic-in 1 x Mic-out 1 x Line-in 8bit GPIO		
LED and switches	Power (PC on LED) Hard disk access LED ATX system control switch		

### Rear I/O plate

