

Impact-P 101D



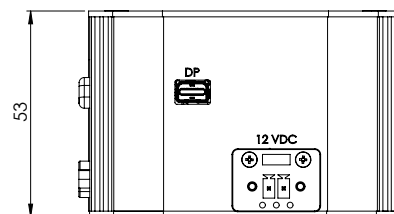
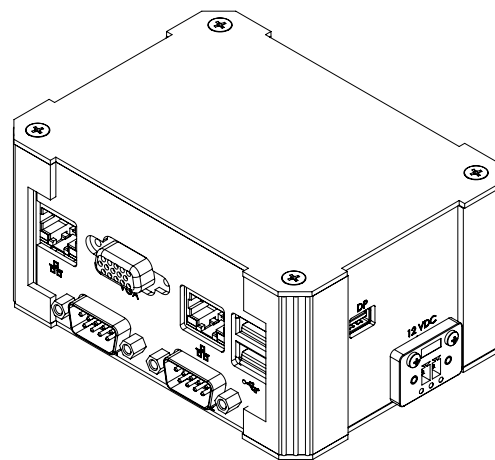
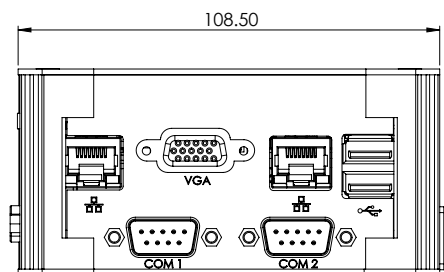
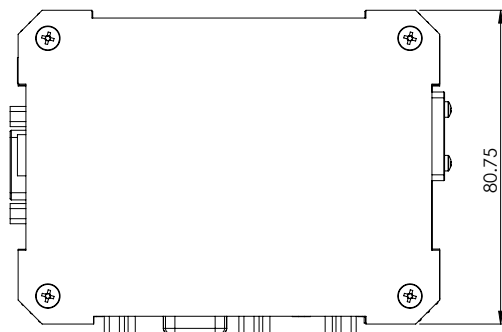
Features

The IoT Edge ready Impact-P 101D is an ultra-compact, DIN Rail mountable, low power embedded system, utilising the superb Intel Atom® X5-E3930 processing technology.

Key features:

- 3 year warranty
- 15 year life cycle
- DIN Rail Mount

Dimensions



Impact-P 101D

Specifications

The information is believed to be accurate. However Amplicon Liveline Limited accepts no responsibility for any problems caused by errors and omissions. Specifications are subject to change without notice.

Hardware Specification	CPU: Intel Atom® X5-E3930 Main memory: 4GB (Up to 8GB SODIMM DDR3) LAN: Dual integrated 10/100/1000 Mbps	Environmental Storage	Temperature: -40°C to 85°C Humidity: 5% to 95% RH Non-condensing
BIOS	Insyde SPI 64Mbit (supports UEFI boot only)	Environmental Operation	Acoustic noise: Near silent operation Operating Temperature: -20°C to 70°C Humidity: 5 to 95% non-condensing MTBF: 497,857 hrs @ 25°C; 318,774 hrs @ 45°C ; 213,436 hrs @ 60°C
Display	1x VGA resolution up to 1920x1200 @ 60Hz 1x Mini DP+: resolution up to 4096x2160 @ 60Hz		
Storage	64GB M.2 SSD	Certifications	CE/UKCA
Supported O/S	Windows 10 IoT Enterprise (64-bit), Linux		
TPM	TPM 2.0		
External Interfaces	2x USB 3.1 Front 2x RJ45 LAN (10/100/1000Mbps) 1x RS-232/422/485 2 x RS-232 only ports 1x VGA 1x Mini DP++		
Main board power options	Single 12V +/-10% DC 2-pin Terminal Block		
Mechanical	Design: Rugged compact embedded design Cooling: Fanless design Construction: Aluminium with carbon fibre composite Colour: Black Dimensions: 108.50mm x 80.75mm x 53mm (W x H x D) Gross Weight: 300g		

I/O plate

