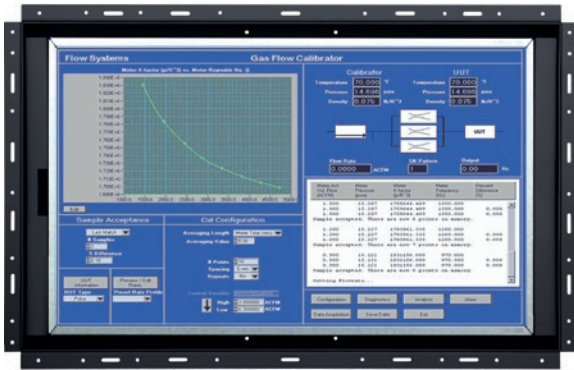


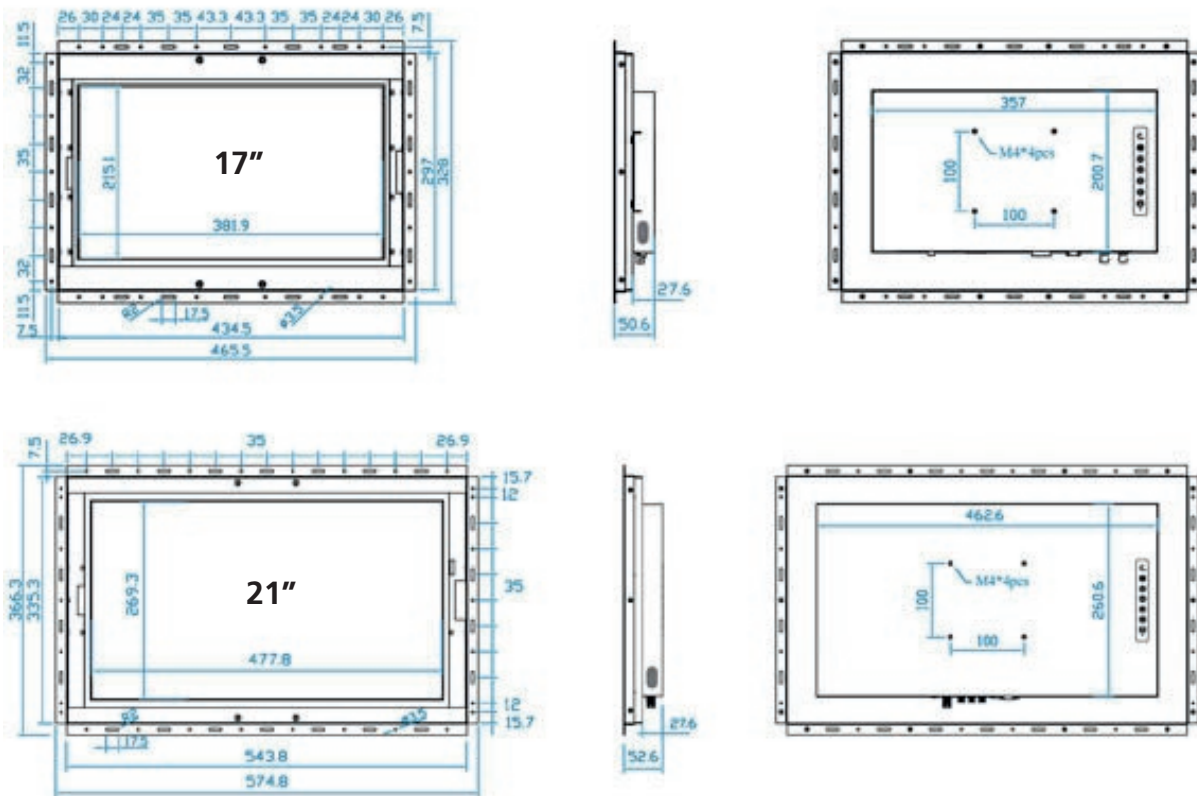
Senses Open frame HD 17/21

Features



- Open Frame design for OEM integration
- Perfect for Kiosk-style application
- 17" / 21" Touchscreen optional
- Optional DC power input
- 2 year warranty

Dimensions



Sales: +44 (0) 1273 570 220 Admin: +44 (0) 1273 608 331 Fax: +44 (0) 1273 570 215 Website: www.amplicon.com Email: sales@amplicon.com

Senses Open frame HD 17/21

Specifications

The information is believed to be accurate. However Amplicon Liveline Limited accepts no responsibility for any problems caused by errors and omissions. Specifications are subject to change without notice.

Model		17" FHD	21" FHD
Max. Resolution		1920 x 1080	1920 x 1080
Brightness (cd/m2)		400	250
Backlight		LED	LED
Colors		16.7M	16.7M
Contrast ratio (typ)		600:1	1000:1
Viewing angle (L/R/U/D)		89/89/89/89	85/85/80/80
Active area (mm)		381.888H x 214.812V	476.64H x 268.11V
MTBF (hrs)		50000	30000
Signal input		VGA & DVI-D	VGA & DVI-D
Weight	Net	3.4 kg / 7.5 lb	6.7 kg / 14.7 lb
	Gross	6.2 kg / 13.6 lb	10.4 kg / 22.9 lb
Operating temperature		0 to 55°C	
Storage temperature		-20 to 60°C	
Relative humidity		5~90% non-condensing	
Shock		10G acceleration (11ms duration)	
Vibration		10~300Hz 0.5G RMS random vibration	
Regulatory		FCC & CE certified	
Input		auto-sensing 100 to 240 VAC, 50 / 60 Hz	
Consumption		screen on Max 25 W Power saving Max 4W Standby Max 1W	screen on Max 32 W Power saving Max 4W Standby Max 1W
Product dimensions (mm)		465.5 x 50.6 x 328	574.8 x 52.6 x 366.3
Packing Dimensions (mm)		615 x 113 x 523	659 x 117 x 640

Sales: +44 (0) 1273 570 220 Admin: +44 (0) 1273 608 331 Fax: +44 (0) 1273 570 215 Website: www.amplicon.com Email: sales@amplicon.com